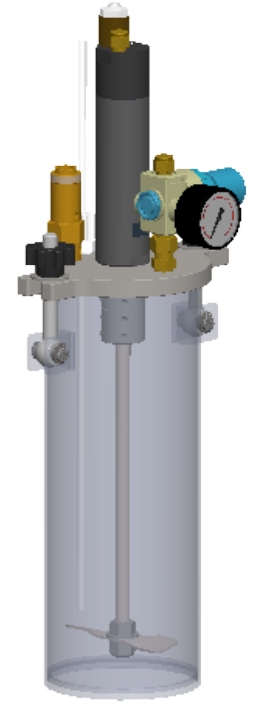
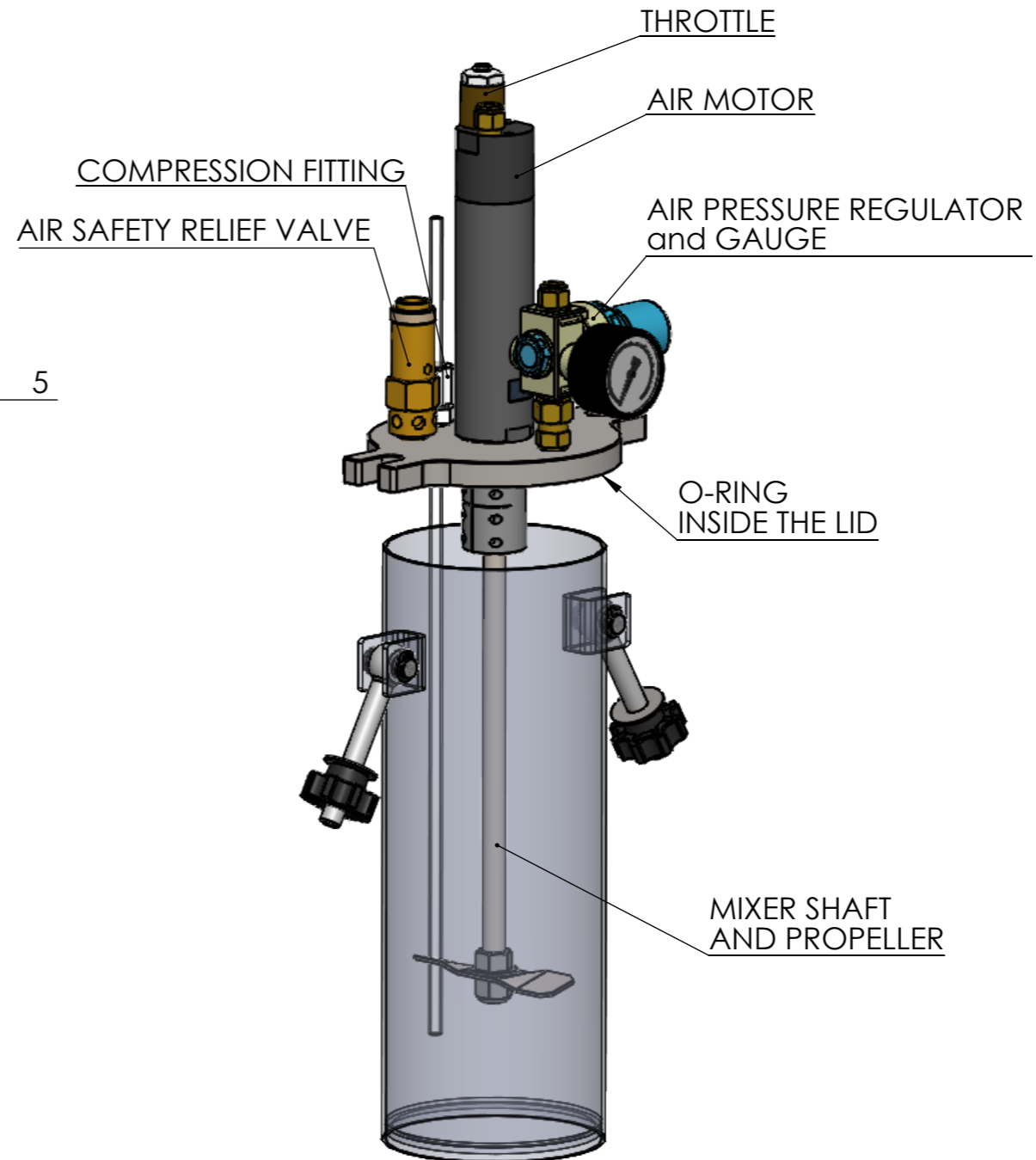


NOTE :

1. DIMENSIONS ARE IN mm
2. MATERIALS :
 tank and cover : stainless steel 303/304 (316 OPTION)
 dip tube :
 output fittings : polypropylene
 oring : Viton
3. MAXIMUM PRESSURE : 100 PSI (6.9 bar)
4. CAPACITY WITHOUT LINER : 2 LITRE
5. INSIDE DIMENSIONS : Ø 100mm x 270mm DEEP
6. DRY WEIGHT :
7. DIMENSIONS ARE FOR REFERENCE ONLY
8. ALSO SUPPLIED :



REVISION	INITIALS	DATE	MODIFICATIONS
A	NR	22.07.17	INITIAL ISSUE
B	NR	23.08.19	UPDATE OF VARIOUS MODELS TO FIT REALITY

This document must not be copied without our written permission, and the contents thereof must not be imparted to a third party nor be used for any unauthorised purpose. Contravention will be prosecuted.

GENERAL TOLERANCE
 Unless otherwise stated
 Linear: 0.0 +/- 0.25
 Angular: 0.0 +/- 1°
 Surface Roughness: Ra1.6

ISO STANDARD FOR
 Thread class
 external 6g
 internal 6H
 Geometric Tolerances

	NAME	DATE
DRAWN	NICOLAS REYNIER	22.07.2017
APPV'D	SIMON KAYE	

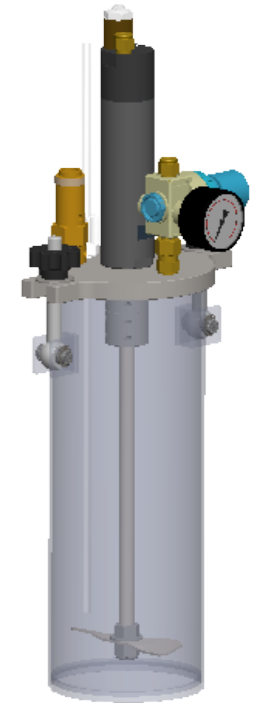
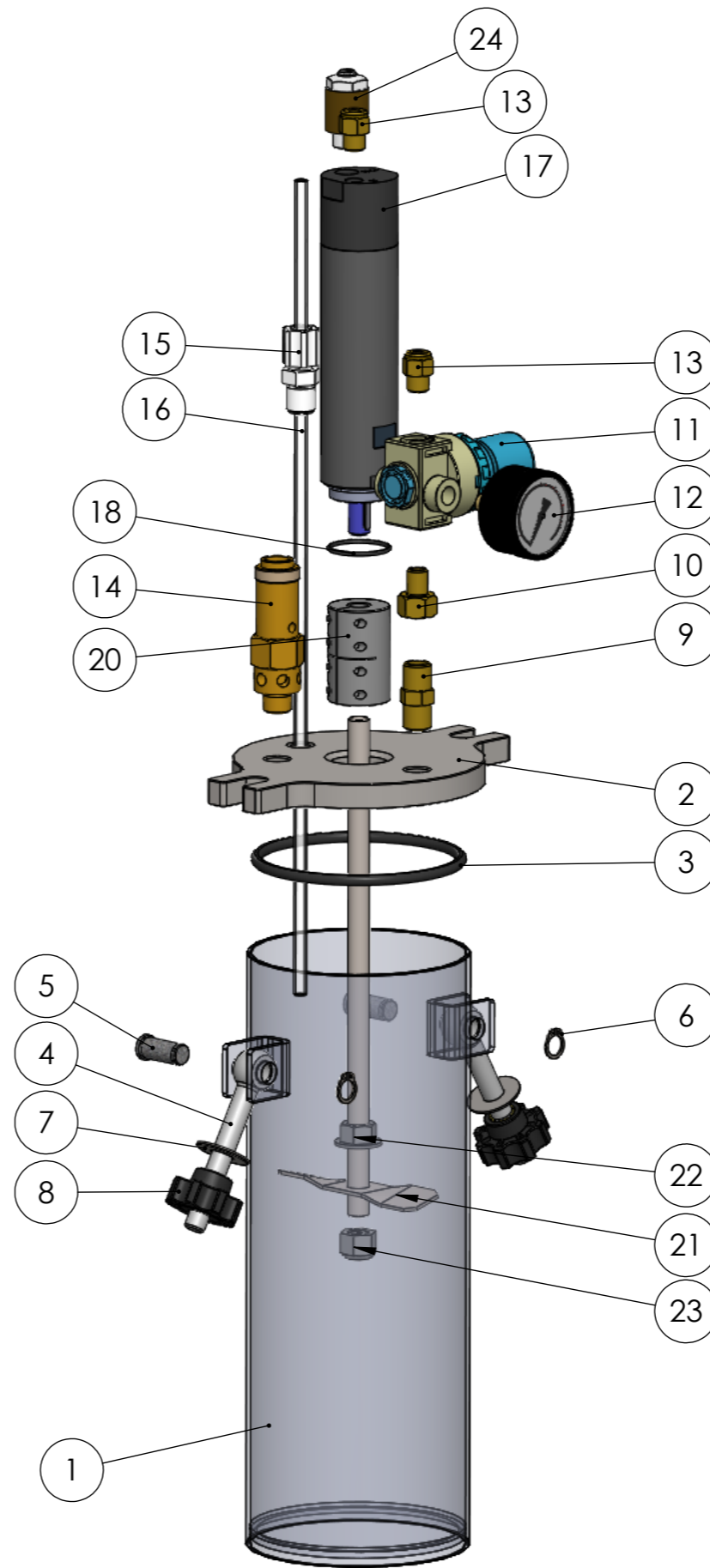
SR-TEK MATERIAL: STAINLESS STEEL
 FINISH: BRUSHED

DO NOT SCALE DRAWING
 BREAK SHARP EDGES WITH CHAMFER 0.3x45° WEIGHT: g

TITLE:
2L RESERVOIR ASSY WITH AIR MOTOR

DWG NO. **2000ML-STAG Revision B** A3
 SCALE: 1:3 IF IN DOUBT ASK SHEET 1 OF 2

#	PART NUMBER	DESCRIPTION	QTY
1	2011B	2L RESERVOIR BODY	1
2	1010L-AG	1L RESERVOIR LID WITH AIR MOTOR	1
3	OR-4.5-90	O-RING 90mm ID x 4.5mm	1
4	BM10x75SSSWING	SWING BOLT M10	2
5	1015	DOWEL PIN	2
6	HCIRCLIPEXT10	CIRCLIP EXTERNAL D10	2
7	WM10-26SS	WASHER M10	2
8	NM10PLSTAR	EIGHT LOBED KNOB M10 PLASTIC BRASS	2
9	HNIPPLE0.25	NIPPLE NPT 1/4"	1
10	HADAPTERF.25-M.125	1/8 MALE 1/4 FEMALE BSP NIPPLE ADAPTER	1
11	HREGULATORAIR100	PRESSURE REGULATOR 0-100 PSI	1
12	AN-100-G	PRESSURE GAUGE 0-100PSI	1
13	HADAPTER0.125-6	STRAIGHT ADAPTOR G1/8 x 6mm	2
14	100-SV	SAFETY VALVE 0.25 100 PSI	1
15	FIT-0.25-COMP-6	COMPRESSION ADAPTER 1/4NPT 6mm	1
16	6PE-CL-2L	FLUID TUBING 6mm CLEAR (not supplied)	1
17	1017-AM	AIR MOTOR 250W	1
18	OR-2-26	O-RING 26mm ID x 2mm	1
20	HCOUPLING1010	SHAFT COUPLER 10 10	1
20	2021	MIXER SHAFT 2L	1
21	1L-9010-SINGLE	MIXING SINGLE BLADE	1
22	NM10SSFLANGE	FLANGE NUT M10	1
23	NM10SSLOCK	LOCKING NUT M10	1
24	HAIRTH	THROTTLE FOR AIR MOTOR	1



REVISION	INITIALS	DATE	MODIFICATIONS
A	NR	22.07.17	INITIAL ISSUE
B	NR	23.08.19	UPDATE OF VARIOUS MODELS TO FIT REALITY

This document must not be copied without our written permission, and the contents thereof must not be imparted to a third party nor be used for any unauthorised purpose. Contravention will be prosecuted.		GENERAL TOLERANCE Unless otherwise stated Linear: 0.0 +/- 0.25 Angular: 0.0 +/- 1° Surface Roughness: Ra1.6
ISO STANDARD FOR Thread class external 6g internal 6H Geometric Tolerances		ISO STANDARD FOR Thread class external 6g internal 6H Geometric Tolerances
DRAWN	NICOLAS REYNIER	22.07.2017
APPV'D	SIMON KAYE	

SR-TEK	MATERIAL: STAINLESS STEEL FINISH: BRUSHED
---------------	--

BREAK SHARP EDGES WITH CHAMFER 0.3x45°	DO NOT SCALE DRAWING	WEIGHT: g
--	-----------------------------	------------------

TITLE:	2L RESERVOIR ASSEMBLY WITH AIR MOTOR	
--------	---	--

DWG NO.	2000ML-STAG Revision B	A3
---------	----------------------------------	----

SCALE: 1:4	IF IN DOUBT ASK	SHEET 2 OF 2
-------------------	-----------------	--------------