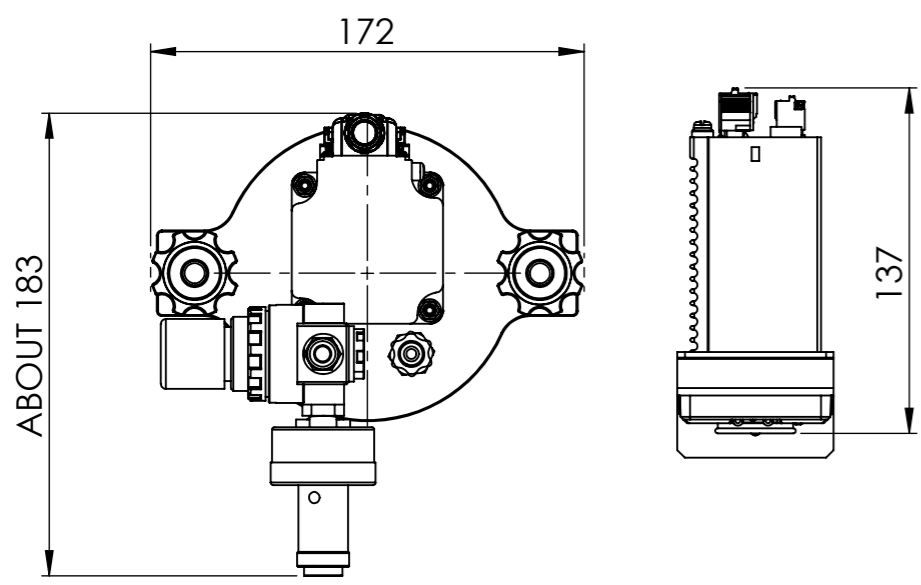
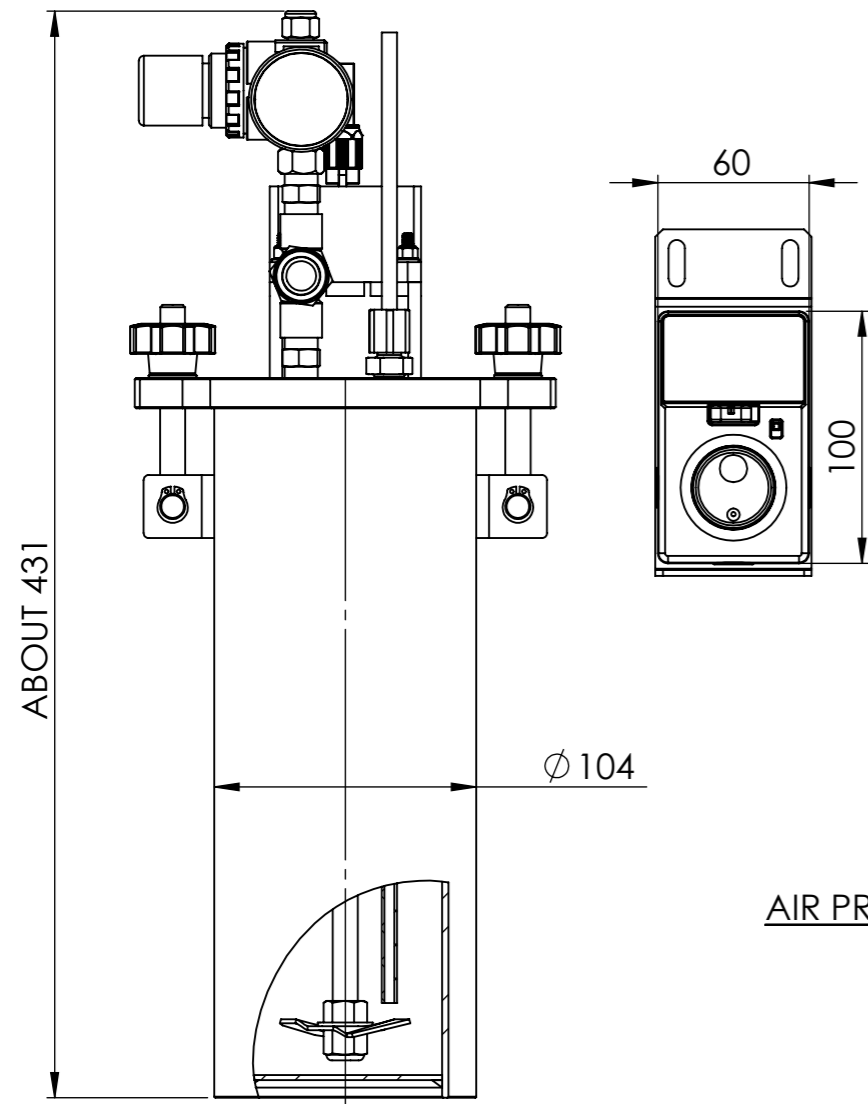


**NOTE :**

1. DIMENSIONS ARE IN mm
2. MATERIALS :  
 tank and cover : stainless steel 303/304 (316 OPTION)  
 dip tube :  
 output fittings : polypropylene  
 oring : Viton
3. MAXIMUM PRESSURE : 100 PSI (6.9 bar)
4. CAPACITY WITHOUT LINER : 2 LITRE
5. INSIDE DIMENSIONS :  $\varnothing$  100mm x 270mm DEEP
6. DRY WEIGHT :
7. DIMENSIONS ARE FOR REFERENCE ONLY
8. ALSO SUPPLIED :



ELECTRIC MOTOR 30W  
MONOPHASE 230V

MOTOR CONTROLLER  
AND ITS SUPPORT  
(VARIOUS OPTIONS)

AIR PRESSURE REGULATOR and GAUGE

AIR SAFETY RELIEF VALVE

COMPRESSION FITTING

MIXER SHAFT  
AND PROPELLER



REVISION	INITIALS	DATE	MODIFICATIONS
A	NR	25.03.18	INITIAL ISSUE
B	NR	23.04.20	UPDATE OF VARIOUS ELEMENTS

This document must not be copied without our written permission, and the contents thereof must not be imparted to a third party nor be used for any unauthorised purpose. Contravention will be prosecuted.

**GENERAL TOLERANCE**  
Unless otherwise stated  
 Linear: 0.0 +/- 0.25  
 Angular: 0.0 +/- 1°  
 Surface Roughness: Ra1.6

**ISO STANDARD FOR**  
 Thread class  
 external 6g  
 internal 6H  
 Geometric Tolerances

	NAME	DATE
DRAWN	NICOLAS REYNIER	25.03.2018
APPV'D	SIMON KAYE	

**SR-TEK** MATERIAL: STAINLESS STEEL  
 FINISH: BRUSHED

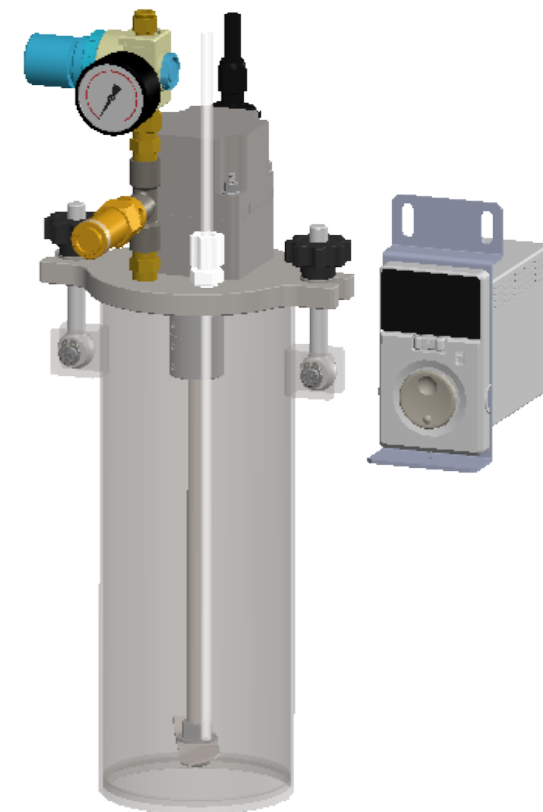
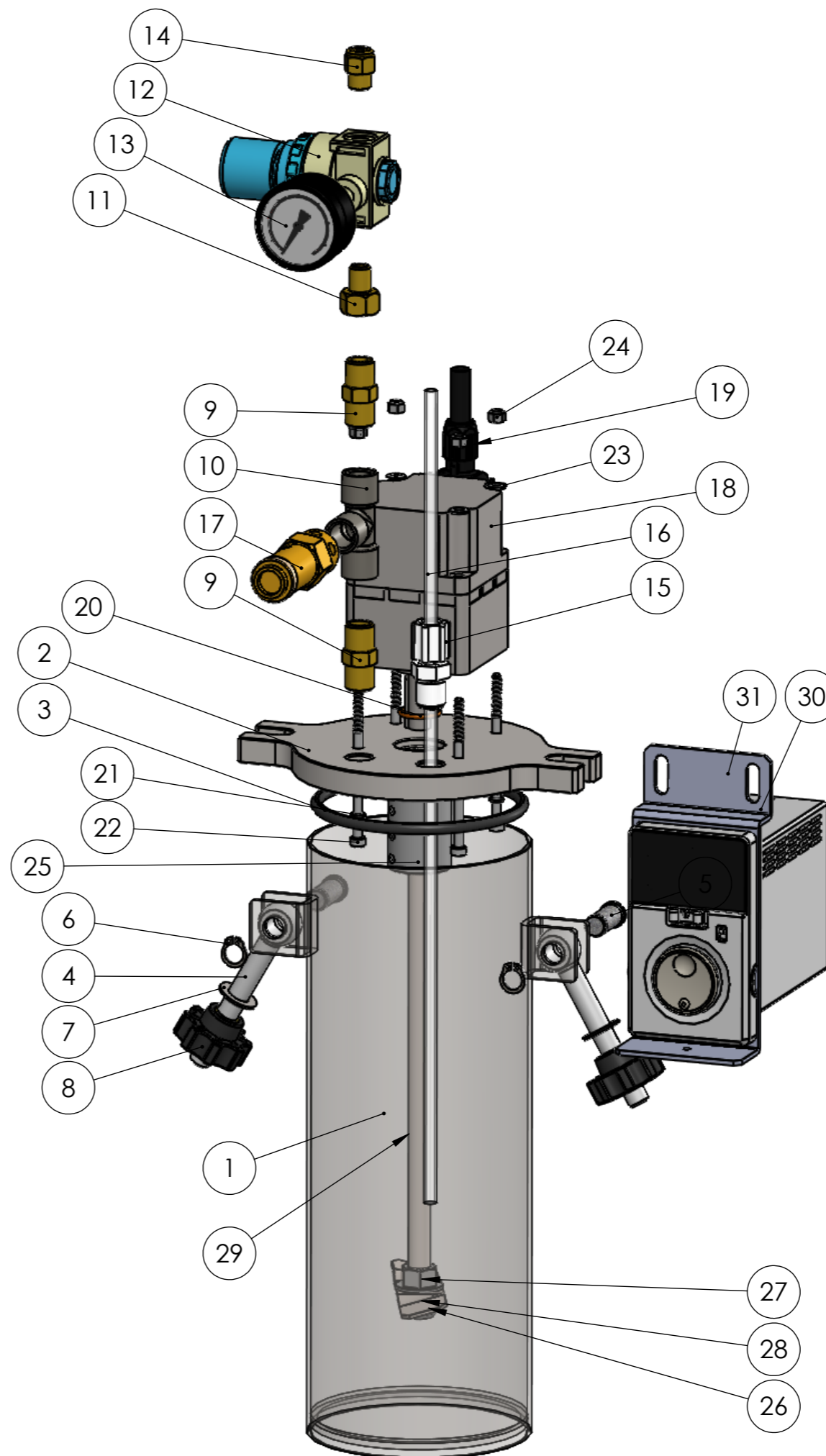
DO NOT SCALE DRAWING

BREAK SHARP EDGES WITH CHAMFER 0.3x45° WEIGHT: g

TITLE:  
**2L RESERVOIR ASSY WITH ELECTRIC AGITATION**

DWG NO. **2000ML-STEL Revision B** A3  
 SCALE: 1:3 IF IN DOUBT ASK SHEET 1 OF 2

#	PART NUMBER	DESCRIPTION	QTY
1	2011B	2L RESERVOIR BODY	1
2	1010L-EL	1L & 2L RESERVOIR LID	1
3	OR-4.5-90	O-RING 90mm ID x 4.5mm	1
4	BM10x75SSSWING	SWING BOLT M10	2
5	1015	DOWEL PIN	2
6	HCIRCLIPEXT10	CIRCLIP EXTERNAL D10	2
7	WM10-19SS	WASHER M10	2
8	NM10PLSTAR	EIGHT LOBED KNOB M10 PLASTIC BRASS	2
9	HNIPPLE0.25	NIPPLE NPT 1/4"	2
10	HTEE0.25BR	TEE 1/4 BSPT BRASS	1
11	HADAPTERF.25-M.125	1/8 MALE 1/4 FEMALE BSP NIPPLE ADAPTER	1
12	HREGULATORAIR100	PRESSURE REGULATOR 0-100 PSI	1
13	AN-100-G	PRESSURE GAUGE 0-100PSI	1
14	HADAPTER0.125-6	STRAIGHT ADAPTOR G1/8 x 6mm	1
15	FIT-0.25-COMP-6	COMPRESSION ADAPTER 1/4NPT 6mm	1
16	6PE-CL-2L	FLUID TUBING 6mm CLEAR (not supplied)	1
17	100-SV	SAFETY VALVE 0.25 100 PSI	1
18	1026	ELECTRIC MOTOR 30W	1
19	1027	ELECTRIC CABLE CONTROLER-MOTOR	1
20	OR-2-16	O-RING 16mm ID x 2mm	1
21	W4.5SSBONDED	BONDED SEAL 4.5	4
22	BM4x70SSCAP	BOLT M4x0.8 70L STAINLESS CAP HEAD	4
23	WM4SSSPRING	BELLEVILLE SPRING LOCK WASHER M4	4
24	NM4SSLOCK	NUT M4 STAINLESS NYLON LOCK	4
25	HCOUPLING1010	SHAFT COUPLER 10 10	1
26	NM10SSLOCK	LOCKING NUT M10	1
27	NM10SSFLANGE	FLANGE NUT M10	1
28	1L-9010-SINGLE	MIXING SINGLE BLADE	1
29	2021	MIXER SHAFT 2L	1
30	1029	MOTOR CONTROLER	1
31	1028	MOTOR CONTROLER SUPPORT	1



REVISION	INITIALS	DATE	MODIFICATIONS
A	NR	25.03.18	INITIAL ISSUE
B	NR	23.04.20	UPDATE OF VARIOUS ELEMENTS

This document must not be copied without our written permission, and the contents thereof must not be imparted to a third party nor be used for any unauthorised purpose. Contravention will be prosecuted.		<b>GENERAL TOLERANCE</b> Unless otherwise stated Linear: 0.0 +/- 0.25 Angular: 0.0 +/- 1° Surface Roughness: Ra1.6
		<b>ISO STANDARD FOR</b>
	<b>NAME</b>	<b>DATE</b>
<b>DRAWN</b>	NICOLAS REYNIER	25.03.2018
<b>APPV'D</b>	SIMON KAYE	
		Thread class external 6g internal 6H Geometric Tolerances

**SR-TEK** MATERIAL: STAINLESS STEEL  
FINISH: BRUSHED

DO NOT SCALE DRAWING  
BREAK SHARP EDGES WITH CHAMFER 0.3x45° WEIGHT: g

TITLE:  
**1L RESERVOIR ASSEMBLY WITH ELECTRIC MOTOR**

DWG NO. **2000ML-STEL Revision B** A3  
SCALE: 1:2 IF IN DOUBT ASK SHEET 2 OF 2